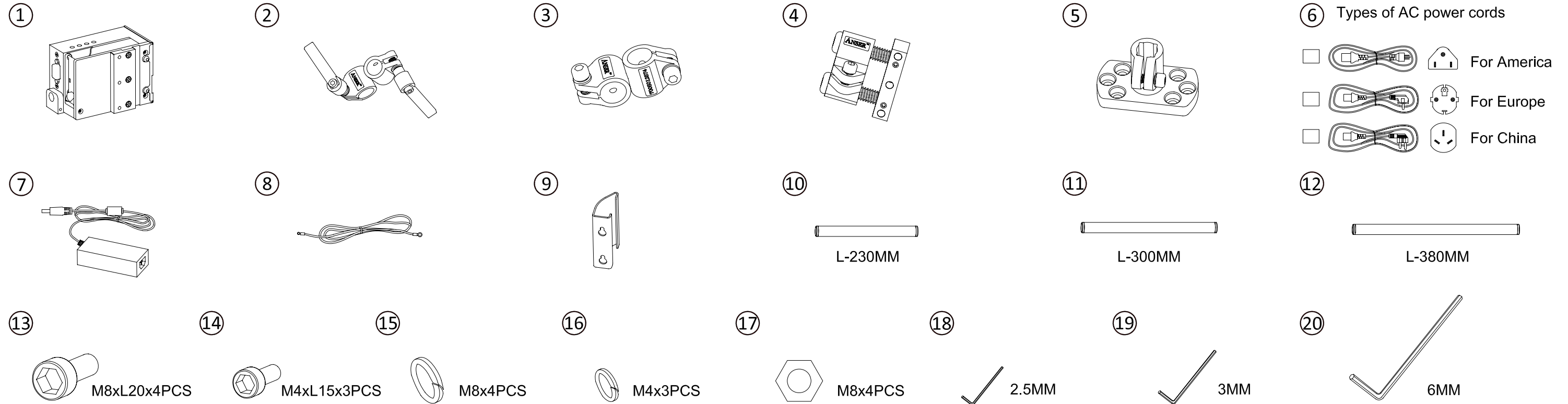


U2 Quick Installation Guide

List of Components for Installation

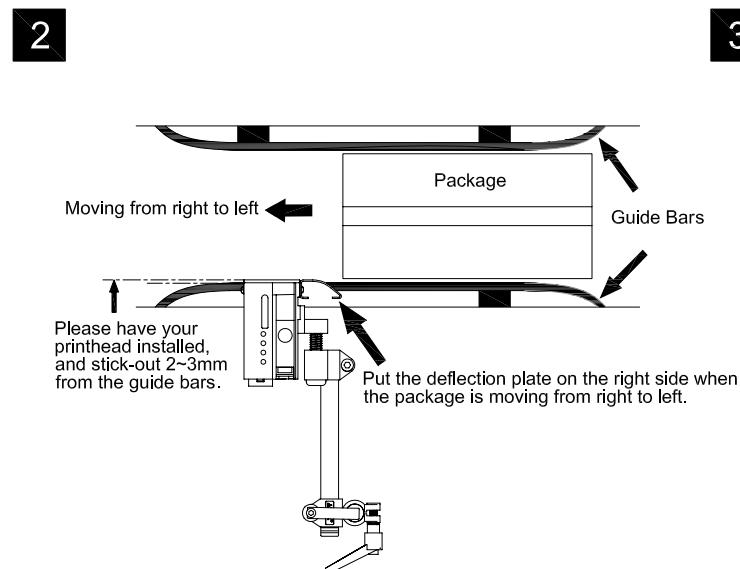
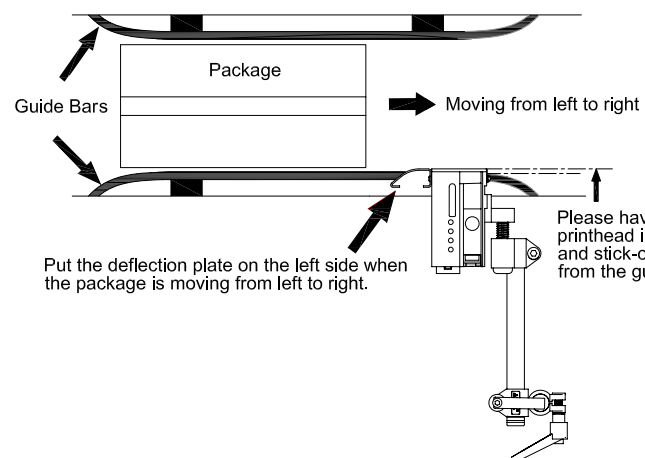


Quick Installation Procedures

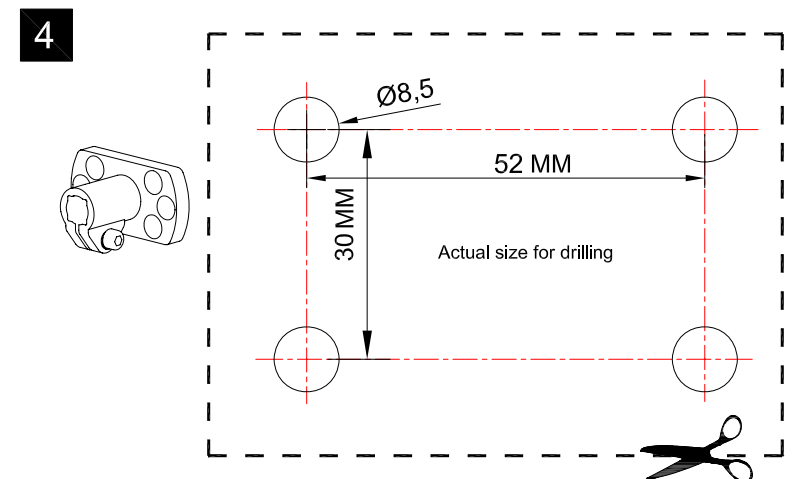
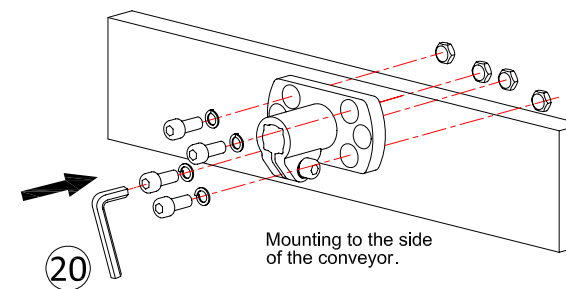
⚠ Indicates either danger or potential damage.

👉 Important information for easy installation of the U2.

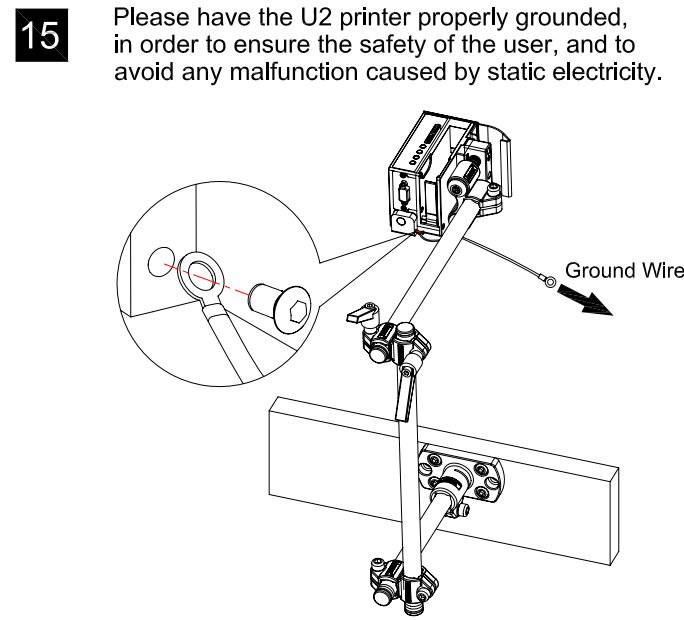
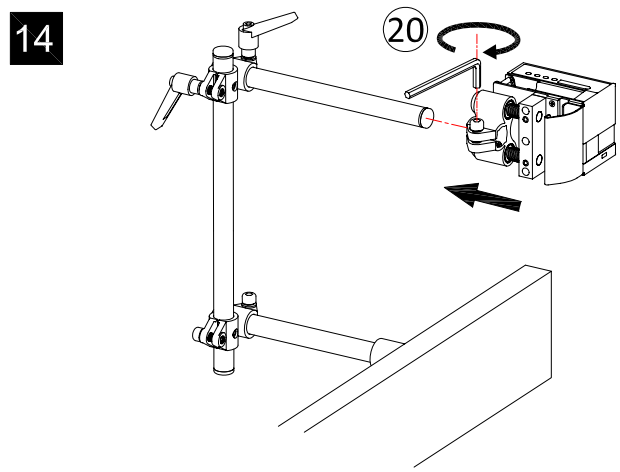
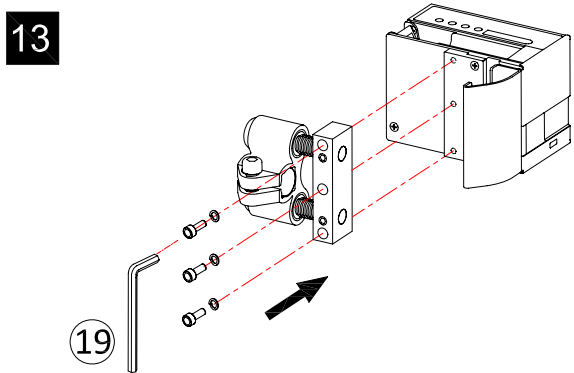
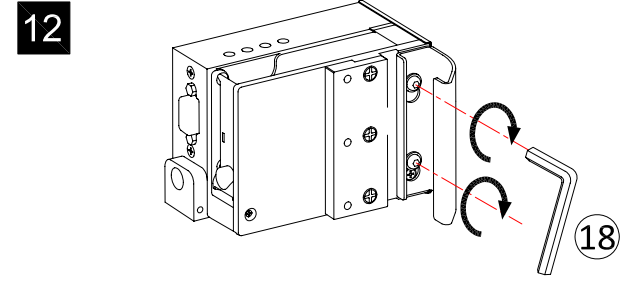
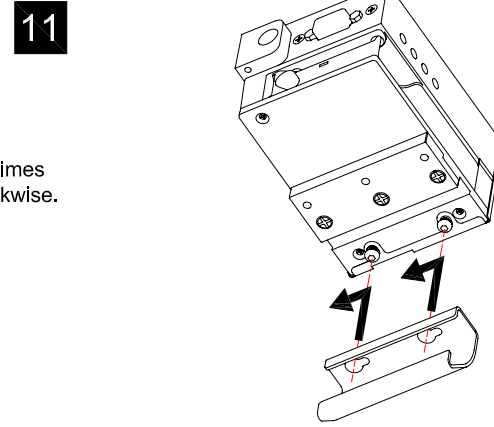
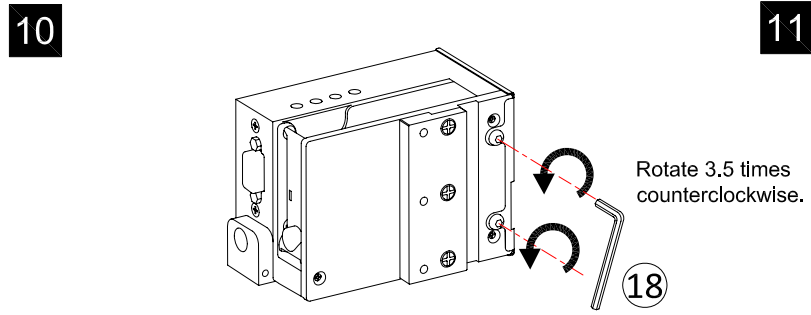
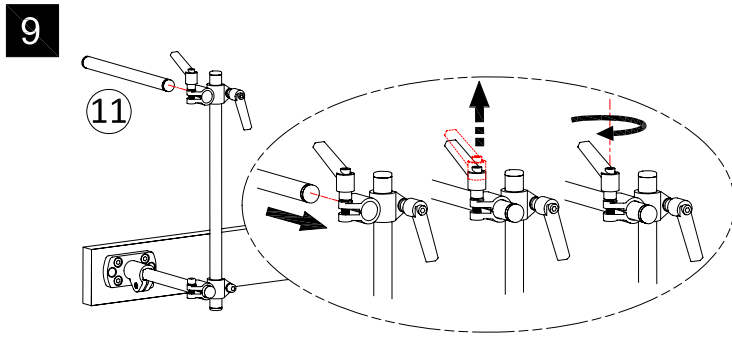
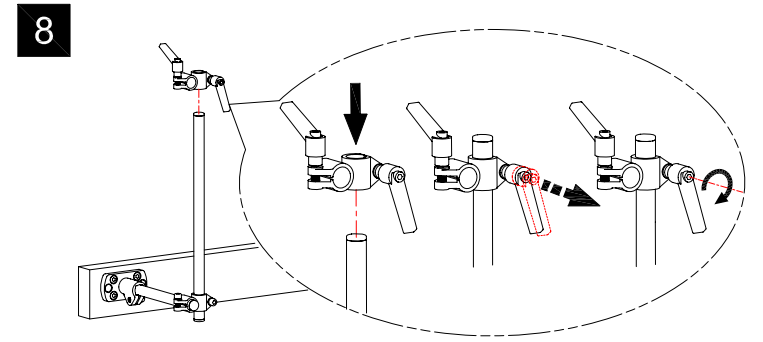
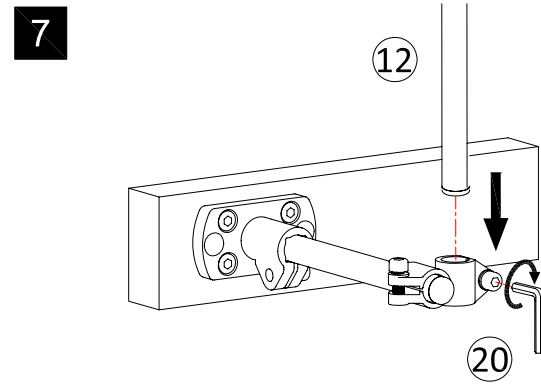
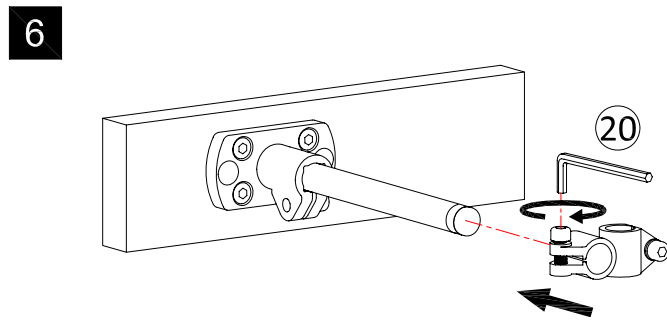
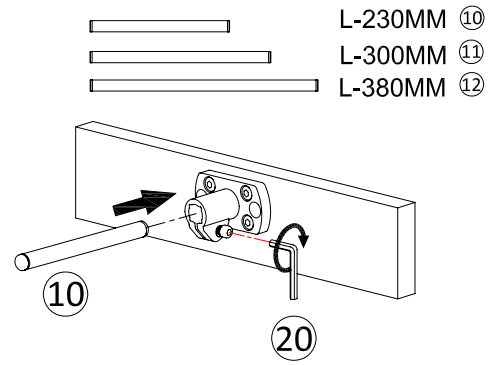
1 ⚠ Installation of guide bars is strongly recommended. Damage to the printer from misuse or negligence will void the warranty.



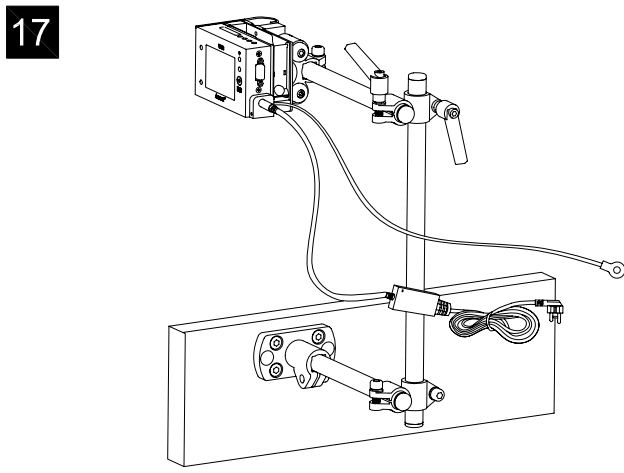
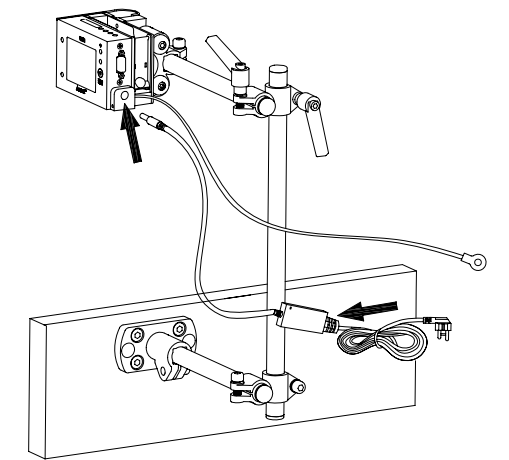
3 👉 The following installation steps are based on the application shown by figure 2.



5 Please choose the proper length of bar when installing.



16 Please note that the U2 input voltage is AC 100-240V, and the output voltage is DC 12V. Please use the original U2 power adapter. An improperly supplied voltage may cause damage, and this will void your warranty.



You can acquire the following information from the SD card (Multiple languages are available in the SD card, which located in the SD card slot.):

1. U2 Installation Manual
2. U2 Operation Manual
3. MessagePro PC Editing Software
4. MessagePro PC Operation Manual

Language: English P/N:8502030254 Ver:1.0

Designed in Taiwan. Assembled in China.

ANSER CODING INC. (Taiwan)
7F No. 23, Lung Chiang Road,
Taipei 10492, Taiwan
T : +886-2-2777-3488
E : sales@anser-printers.com
W : www.anser-u2.com

ANSER CODING INC. (China)
7F No. 52, Huli Road, Xiamen,
China
T : +86-592-571-8888
E : sales@anser-printers.cn
W : www.anser-u2.com

